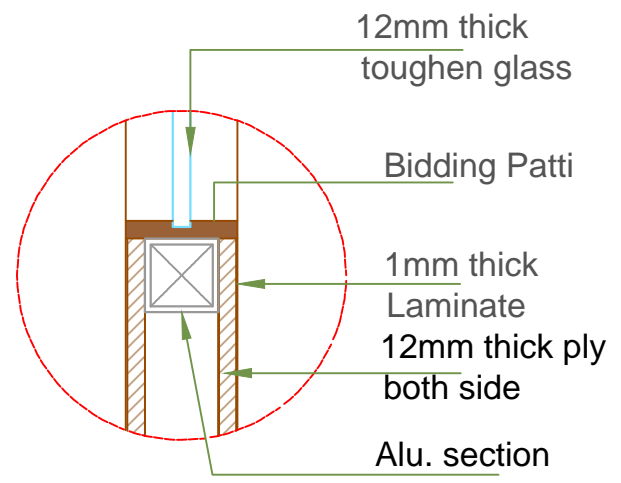
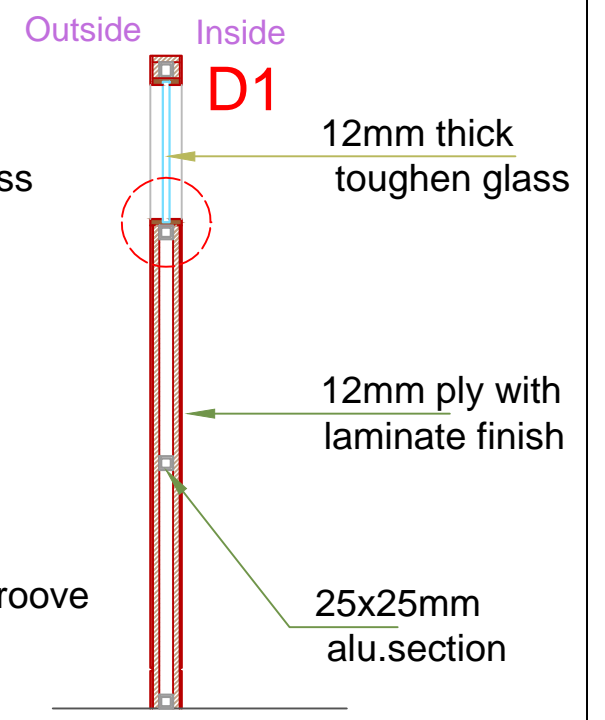
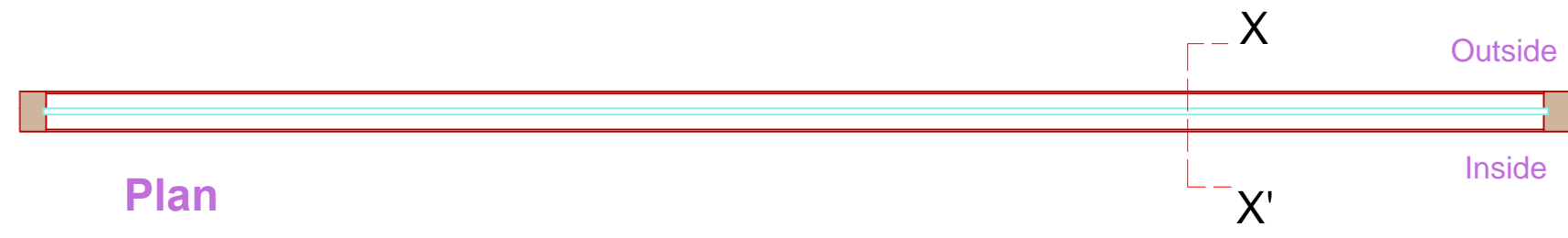


**LOW HT PARTLY GLAZED PARTITIONS  
(LAMINATE FINISH)**



PROJECT :- INTERIOR  
 CLIENT :- CANARA BANK , GIFT CITY  
 DATE : 02-04-2020  
 DRG. NO. :- CANARA BANK/2020 /INTERIOR / 05

DRAWING:- LOW HT PARTLY GLAZED PARTITIONS (LAMINATE FINISH) :-

**SARJAN**  
 ARCHITECTS & PROJECT CONSULTANT  
 51, River Palace- A, Opp. Old Civil Court, Nanpura, Surat- 395001.  
 E-Mail: sarjanarch.pc@gmail.com Web: www.sarjanarchitects.com  
 Contact: +91-261-2476778/ 9879604444